

Spy-1 - support - height 450mm
35.11159-7916

Fixture details

Mounting	Ground
Light emission	Spotlight
Fitting cover	Glass
Protection rate	IP 54
Housing	Aluminium
Finish	RAL 7016 anthracite textured
Certificates	CE, ISO 9001

Electric details

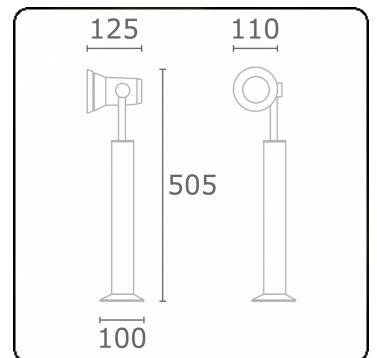
Protection class	I
Supply	230V
Control gear box	Current driver

Lamp details

Lamptype	LED 4000K 32°
Wattage	3x1W
Gross luminous flux	399
Luminaire power	4,2W
Number	1
Lifetime LED module	L70/B50 > 60000h
Color tolerance	MacAdam 3
CRI	80

Photometric details

CIE Fluxcode	96 99 100 100 73
--------------	------------------



ENERGY

A ▶
B ▶ Verkrijgbaar op aanvraag.
C ▶ Disponible sur demande.
D ▶
E ▶ Available on request.
F ▶ Auf Anfrage.
G ▶

WXYZ
kWh/1000h

MULTILINE® 2019/2015