

T-Line 130 - Direct or Indirect - curved cover panel - ANO
06.37200023-0001

Fixture details

| | |
|-----------------|-------------------------|
| Mounting | Wall |
| Light emission | Direct or Indirect |
| Fitting cover | Prismatic diffuser |
| Protection rate | IP 20 |
| Housing | Aluminium/Polycarbonate |
| Finish | anodized finish |
| Certificates | CE, ISO 9001 |



Electric details

| | |
|------------------|----------------|
| Protection class | I |
| Supply | 230V |
| Control gear box | Current driver |

Lamp details

| | |
|---------------------|------------------|
| Lamptype | LED 3000K |
| Wattage | 3,6W |
| Gross luminous flux | 1280 |
| Luminaire power | 7,9W |
| Number | 2 |
| Lifetime LED module | L80/B10 > 72000h |
| Color tolerance | MacAdam 3 |
| CRI | >80 |

Photometric details

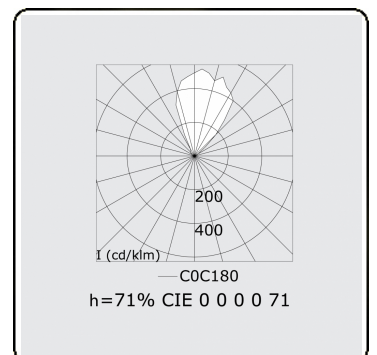
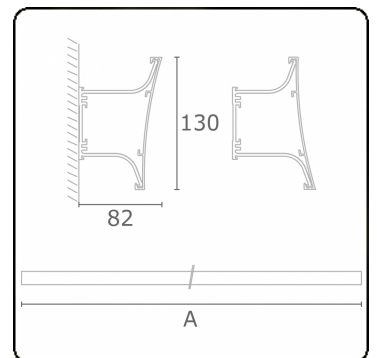
| | |
|-----------------------|-----------------|
| CIE Fluxcode | 70 93 99 100 71 |
| CIE Fluxcode Indirect | 00 00 00 00 71 |

Dimensions

| | |
|---|--------|
| A | 594 mm |
|---|--------|

Remarks

direct or indirect light distribution with curved cover



ENERGY

Verrijgbaar op aanvraag.

Disponible sur demande.

Available on request.

Auf Anfrage.

WXYZ
kWh/1000h

MULTILINE®

2019/2015