

**Metro-S 200x100mm - COB (white printed glass) - without recessed housing**  
36.610052-0021

**Fixture details**

|                    |   |
|--------------------|---|
| Mounting           | Ground - recessed                               |
| Light emission     | Indirect  |
| Light distribution | Symmetrical                                     |
| Fitting cover      | Glass   |
| Protection rate    | IP 67   |
| Maximum load       | 1000 kg drive-across (excluding recessing housi |
| T°                 | <75° °  |
| Housing            | Aluminium/Stainless Steel                       |
| Finish             | matt black finish RAL 9105                      |
| Certificates       | CE, ISO 9001                                    |



**Electric details**

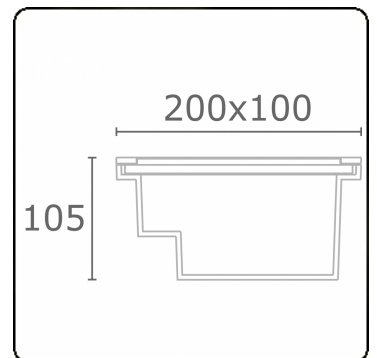
|                  |                |
|------------------|----------------|
| Protection class | I              |
| Supply           | 230V           |
| Control gear box | Current driver |

**Lamp details**

|                     |                   |
|---------------------|-------------------|
| Lamptype            | LED 2700K         |
| Wattage             | 5W                |
| Gross luminous flux | 443               |
| Luminaire power     | 5W                |
| Cover glass         | flat - white      |
| Number              | 1                 |
| Lifetime LED module | L80/B10 = 100000h |
| Color tolerance     | MacAdam 3         |
| CRI                 | 80                |

**Photometric details**

|              |           |
|--------------|-----------|
| CIE Fluxcode | 0 0 0 0 8 |
|--------------|-----------|



**Remarks**

200x100mm white printed glass

**ENERGY**

Verkrijgbaar op aanvraag.

Disponible sur demande.

Available on request.

Auf Anfrage.

**WXYZ**  
kWh/1000h

**MULTILINE®**

2019/2015