

**Metro-S 200x100mm - COB (white printed glass) - without recessed housing**  
36.610053-0021

**Fixture details**

Mounting	Ground - recessed
Light emission	Indirect
Light distribution	Symmetrical
Fitting cover	Glass
Protection rate	IP 67
Maximum load	1000 kg drive-across (excluding recessing housi
T°	<75° °
Housing	Aluminium/Stainless Steel
Finish	matt black finish RAL 9105
Certificates	CE, ISO 9001



**Electric details**

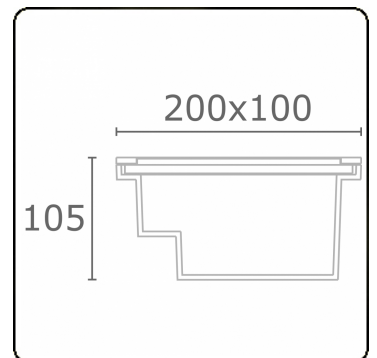
Protection class	I
Supply	230V
Control gear box	Current driver

**Lamp details**

Lamptype	LED 3000K
Wattage	5W
Gross luminous flux	463
Luminaire power	5W
Cover glass	flat - white
Number	1
Lifetime LED module	L80/B10 = 100000h
Color tolerance	MacAdam 3
CRI	80

**Photometric details**

CIE Fluxcode	0 0 0 0 8
--------------	-----------



**Remarks**

200x100mm white printed glass

**ENERGY**

Verrijgbaar op aanvraag.

Disponible sur demande.

Available on request.

Auf Anfrage.

**WXYZ**  
kWh/1000h

**MULTILINE®**

2019/2015