

**M1-E**  
**35.14014-7916**

**Fixture details**

Mounting	Ground
Light emission	Direct
Fitting cover	satin diffusor
Protection rate	IP 65
Housing	Aluminium
Finish	RAL 7016 anthracite textured
Certificates	CE, ISO 9001

**Electric details**

Protection class	I
Supply	230V
Control gear box	Current driver

**Lamp details**

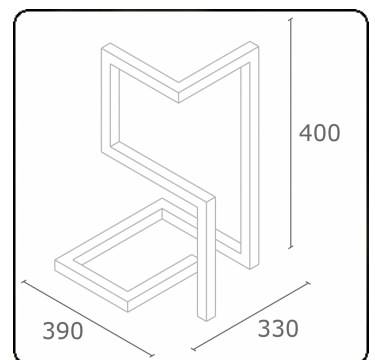
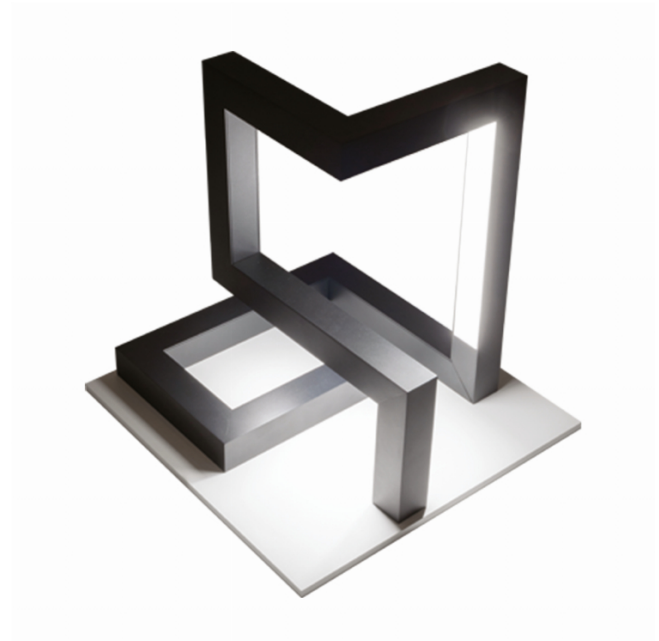
Lamptype	LED 4000K
Wattage	14,4W
Gross luminous flux	1200
Luminaire power	15,8W
Number	1
Lifetime LED module	L80/B10 = 30000h
Color tolerance	MacAdam 3
CRI	80

**Photometric details**

CIE Fluxcode	49 80 96 100 66
--------------	-----------------

**Dimensions**

A	390 mm
B	400 mm
C	330 mm



**ENERGY**

Verrijgbaar op aanvraag.

Disponible sur demande.

Available on request.

Auf Anfrage.

**WXYZ**  
kWh/1000h

**MULTILINE®** 2019/2015