

Rekta 40x70 Direct satin - HO 150mA - RAL
07.09604593-9999

Fixture details

Mounting	Ceiling recessed
Light emission	Direct
Fitting cover	satin diffusor
Protection rate	IP 20
Housing	Aluminium
Finish	RAL colour at your choice
Certificates	CE, ISO 9001



Electric details

Protection class	I
Supply	230V
Control gear box	Current driver DALI/TD

Lamp details

Lamptype	LED 3000K
Wattage	3,2W
Gross luminous flux	5760
Luminaire power	31,7W
Number	9
Lifetime LED module	L80/B10 > 72000h
Color tolerance	MacAdam 3
CRI	>80

Photometric details

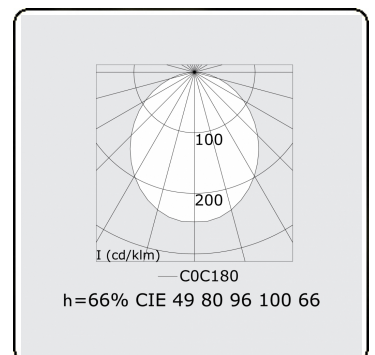
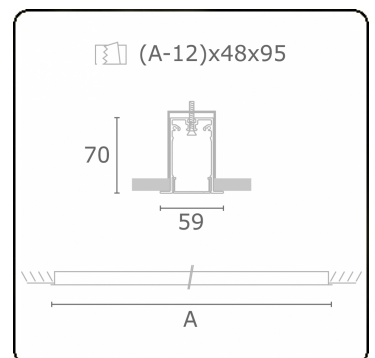
UGR	>19
CIE Fluxcode	49 80 96 100 66

Dimensions

A	2544 mm
---	---------

Remarks

Recessed luminaire (with trim) - Direct - HO 150mA - satin (flush) - RAL



ENERGY

Verrijgbaar op aanvraag.

Disponible sur demande.

Available on request.

Auf Anfrage.

WXYZ
kWh/1000h

MULTILINE®

2019/2015