

Twinline Direct - VDT - LO 400mA - RAL
04.14024104-9999

Fixture details

| | |
|-----------------|---------------------------|
| Mounting | Pendant |
| Light emission | Direct |
| Fitting cover | VDT louvre |
| Protection rate | IP 20 |
| Housing | Aluminium |
| Finish | RAL colour at your choice |
| Certificates | CE, ISO 9001 |

Electric details

| | |
|------------------|------------------------|
| Protection class | I |
| Supply | 230V |
| Control gear box | Current driver DALI/TD |

Lamp details

| | |
|---------------------|------------------|
| Lamptype | LED 4000K |
| Wattage | 4,5W |
| Gross luminous flux | 16400 |
| Luminaire power | 99,0W |
| Number | 10 |
| Lifetime LED module | L80/B10 > 72000h |
| Color tolerance | MacAdam 3 |
| CRI | >80 |

Photometric details

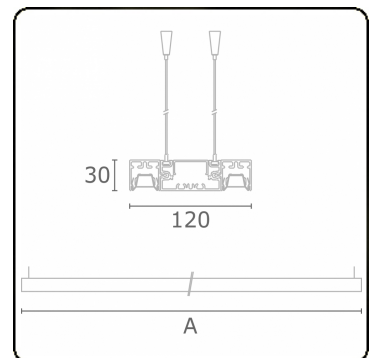
| | |
|--------------|------------------|
| UGR | <19 |
| CIE Fluxcode | 90 99 100 100 68 |

Dimensions

| | |
|---|---------|
| A | 2810 mm |
|---|---------|

Remarks

Suspended luminaire - Direct - LO 400mA - VDT louvre - RAL



ENERGY

Verkrijgbaar op aanvraag.

Disponible sur demande.

Available on request.

Auf Anfrage.

MULTILINE®

WXYZ
kWh/1000h

2019/2015