

Nhua - satin - HO 150mA - ANO  
06.19000553-0001

**Fixture details**

Mounting	Wall
Light emission	Direct-Indirect
Fitting cover	satin diffusor
Protection rate	IP 40
Housing	Aluminium
Finish	anodized finish
Certificates	CE, ISO 9001



**Electric details**

Protection class	I
Supply	230V
Control gear box	Current driver

**Lamp details**

Lamptype	LED 3000K
Wattage	3,2W
Gross luminous flux	3200
Luminaire power	17,6W
Number	5
Lifetime LED module	L80/B10 > 72000h
Color tolerance	MacAdam 3
CRI	>80

**Photometric details**

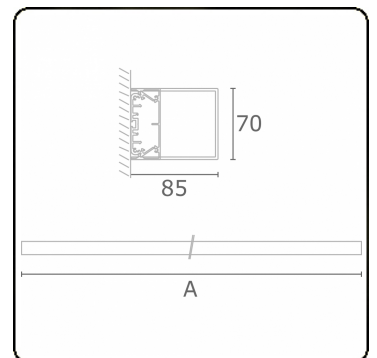
UGR	>19
CIE Fluxcode	34 61 83 76 75

**Dimensions**

A	1414 mm
---	---------

**Remarks**

Wall luminaire - HO 150mA - satin - ANO



**ENERGY**

Verrijgbaar op aanvraag.

Disponible sur demande.

Available on request.

Auf Anfrage.

**WXYZ**  
kWh/1000h

**MULTILINE®**

2019/2015