

Biko Direct - satin - HO 150mA - RAL/RAL
04.44004553-9999

Fixture details

| | |
|-----------------|---------------------------|
| Mounting | Pendant |
| Light emission | Direct |
| Fitting cover | satin diffusor |
| Protection rate | IP 20 |
| Housing | Aluminium |
| Finish | RAL colour at your choice |
| Certificates | CE, ISO 9001 |

Electric details

| | |
|------------------|------------------------|
| Protection class | I |
| Supply | 230V |
| Control gear box | Current driver DALI/TD |

Lamp details

| | |
|---------------------|------------------|
| Lamptype | LED 3000K |
| Wattage | 3,2W |
| Gross luminous flux | 3200 |
| Luminaire power | 17,6W |
| Number | 5 |
| Lifetime LED module | L80/B10 > 72000h |
| Color tolerance | MacAdam 3 |
| CRI | >80 |

Photometric details

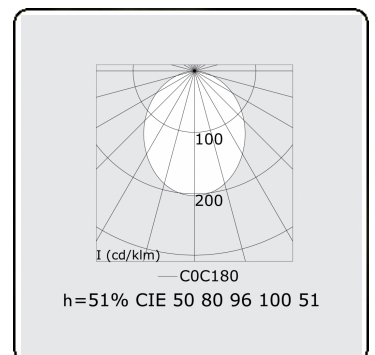
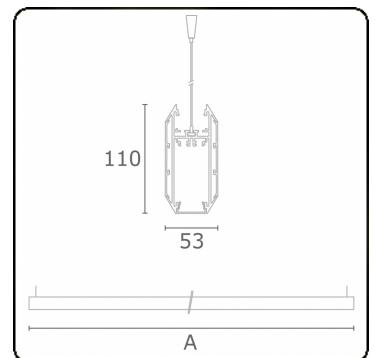
| | |
|--------------|-----------------|
| UGR | >19 |
| CIE Fluxcode | 50 80 96 100 51 |

Dimensions

| | |
|---|---------|
| A | 1416 mm |
|---|---------|

Remarks

Suspended luminaire - Direct - HO 150mA - satin (flush) - RAL/RAL



ENERGY

Verkrijgbaar op aanvraag.

Disponible sur demande.

Available on request.

Auf Anfrage.

WXYZ
kWh/1000h

MULTILINE®

2019/2015