

Spy-1 - pin - height 1000mm
35.11120-7916

Fixture details

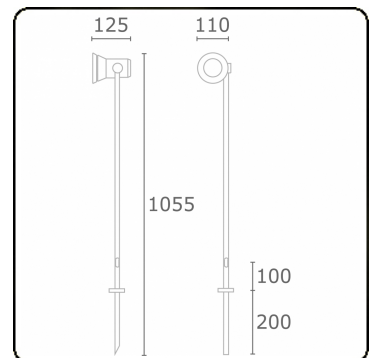
Mounting	Ground
Light emission	Spotlight
Fitting cover	Glass
Protection rate	IP 54
Housing	Aluminium
Finish	RAL 7016 anthracite textured
Certificates	CE, ISO 9001

Electric details

Protection class	I
Supply	230V

Lamp details

Lamp type	LED MR16
Wattage	-
Socket	GU10
Number	1



ENERGY

Verrijgbaar op aanvraag.

Disponible sur demande.

Available on request.

Auf Anfrage.

WXYZ
kWh/1000h

MULTILINE®

2019/2015