

Score flat Direct - satin - HO 150mA - ANO  
07.87004594-0001

**Fixture details**

|                 |                  |
|-----------------|------------------|
| Mounting        | Ceiling recessed |
| Light emission  | Direct           |
| Fitting cover   | satin diffusor   |
| Protection rate | IP 20            |
| Housing         | Aluminium        |
| Finish          | anodized finish  |
| Certificates    | CE, ISO 9001     |



**Electric details**

|                  |                        |
|------------------|------------------------|
| Protection class | I                      |
| Supply           | 230V                   |
| Control gear box | Current driver DALI/TD |

**Lamp details**

|                     |                  |
|---------------------|------------------|
| Lamptype            | LED 4000K        |
| Wattage             | 3,2W             |
| Gross luminous flux | 6030             |
| Luminaire power     | 31,7W            |
| Number              | 9                |
| Lifetime LED module | L80/B10 > 72000h |
| Color tolerance     | MacAdam 3        |
| CRI                 | >80              |

**Photometric details**

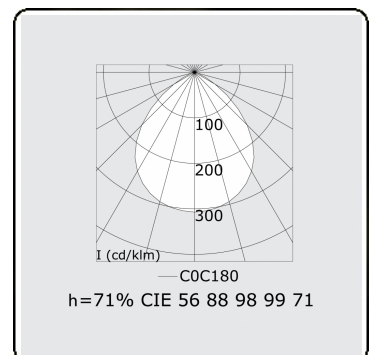
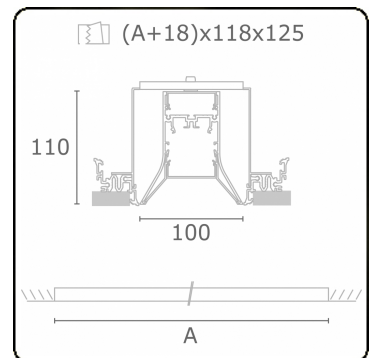
|              |                |
|--------------|----------------|
| UGR          | >19            |
| CIE Fluxcode | 56 88 98 99 71 |


**Dimensions**

|   |         |
|---|---------|
| A | 2544 mm |
|---|---------|

**Remarks**

Recessed luminaire (trimless) - Direct - HO 150mA - satin - ANO



**ENERGY** 

A  
 Verkrijgbaar op aanvraag.  
B  
 Disponible sur demande.  
C  
D  
 Available on request.  
E  
F  
 Auf Anfrage.  
G

**WXYZ**  
kWh/1000h

**MULTILINE®** 2019/2015