

Tube 70 T1 - satin - HO 150mA - double cable gland
35.90211553-0000

Fixture details

| | |
|-----------------|--------------------|
| Mounting | Wall |
| Light emission | Direct |
| Fitting cover | satin diffusor |
| Protection rate | IP 65 |
| Housing | Polycarbonate/PMMA |
| Finish | frosted |
| Certificates | CE, ISO 9001 |

Electric details

| | |
|------------------|-----------------|
| Protection class | I |
| Supply | 230V |
| Control gear box | Current driver |
| Emergency set | Autonomy 1 hour |

Lamp details

| | |
|---------------------|------------------|
| Lamptype | LED 3000K |
| Wattage | 3,2W |
| Gross luminous flux | 3175 |
| Luminaire power | 17,6W |
| Number | 5 |
| Lifetime LED module | L80/B10 > 72000h |
| Color tolerance | MacAdam 3 |
| CRI | >80 |

Photometric details

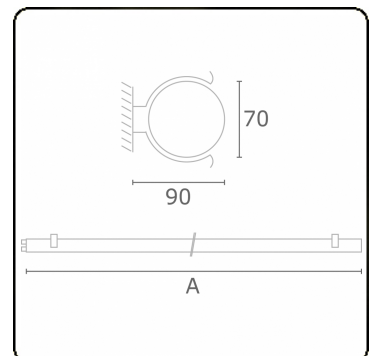
| | |
|--------------|----------------|
| CIE Fluxcode | 45 74 91 93 85 |
|--------------|----------------|

Dimensions

| | |
|---|---------|
| A | 1480 mm |
|---|---------|

Remarks

Wall luminaire - satin - HO 150mA - double cable gland



ENERGY

Verrijgbaar op aanvraag.

Disponible sur demande.

Available on request.

Auf Anfrage.

WXYZ
kWh/1000h

MULTILINE®

2019/2015