

Tube 70 T1 - clear - HO 150mA - standard  
35.90000554-0000

**Fixture details**

|                 |                |
|-----------------|----------------|
| Mounting        | Wall           |
| Light emission  | Direct         |
| Fitting cover   | clear diffuser |
| Protection rate | IP 65          |
| Housing         | Polycarbonate  |
| Finish          | frosted        |
| Certificates    | CE, ISO 9001   |



**Electric details**

|                  |                |
|------------------|----------------|
| Protection class | I              |
| Supply           | 230V           |
| Control gear box | Current driver |

**Lamp details**

|                     |                  |
|---------------------|------------------|
| Lamptype            | LED 4000K        |
| Wattage             | 3,2W             |
| Gross luminous flux | 3350             |
| Luminaire power     | 17,6W            |
| Number              | 5                |
| Lifetime LED module | L80/B10 > 72000h |
| Color tolerance     | MacAdam 3        |
| CRI                 | >80              |

**Photometric details**

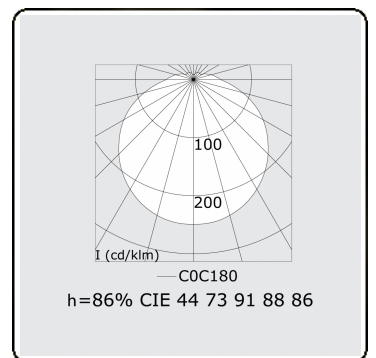
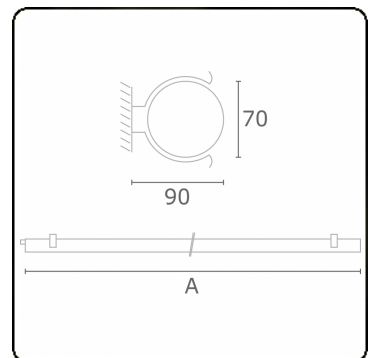
|              |                |
|--------------|----------------|
| CIE Fluxcode | 44 73 91 88 86 |
|--------------|----------------|

**Dimensions**

|   |         |
|---|---------|
| A | 1480 mm |
|---|---------|

**Remarks**

Wall luminaire - clear - HO 150mA - standard



**ENERGY**

Verrijgbaar op aanvraag.

Disponible sur demande.

Available on request.

Auf Anfrage.

**WXYZ**  
kWh/1000h

**MULTILINE®**

2019/2015