

Tube 70 T1 - clear - HO 150mA - standard
35.90004523-0000

Fixture details

Mounting	Wall
Light emission	Direct
Fitting cover	clear diffuser
Protection rate	IP 65
Housing	Polycarbonate
Finish	frosted
Certificates	CE, ISO 9001



Electric details

Protection class	I
Supply	230V
Control gear box	Current driver DALI/TD

Lamp details

Lamptype	LED 3000K
Wattage	3,2W
Gross luminous flux	1280
Luminaire power	7,0W
Number	2
Lifetime LED module	L80/B10 > 72000h
Color tolerance	MacAdam 3
CRI	>80

Photometric details

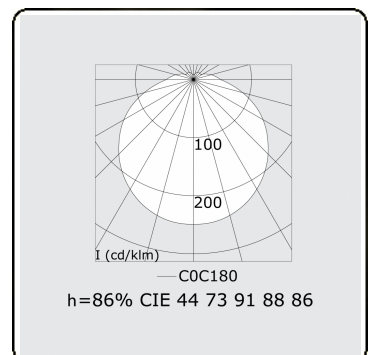
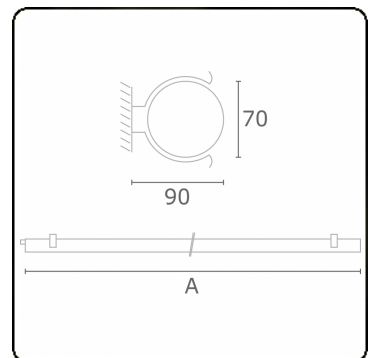
CIE Fluxcode	44 73 91 88 86
--------------	----------------

Dimensions

A	640 mm
---	--------

Remarks

Wall luminaire - clear - HO 150mA - standard



ENERGY

Verrijgbaar op aanvraag.

Disponible sur demande.

Available on request.

Auf Anfrage.

WXYZ
kWh/1000h

MULTILINE®

2019/2015