

Re-LED Direct/Indirect satin - HO 225mA - RAL  
04.91104873-9999

**Fixture details**

|                 |                           |
|-----------------|---------------------------|
| Mounting        | Pendant                   |
| Light emission  | Direct-Indirect           |
| Fitting cover   | satin diffusor            |
| Protection rate | IP 20                     |
| Housing         | Aluminium                 |
| Finish          | RAL colour at your choice |
| Certificates    | CE, ISO 9001              |

**Electric details**

|                  |                        |
|------------------|------------------------|
| Protection class | I                      |
| Supply           | 230V                   |
| Control gear box | Current driver DALI/TD |

**Lamp details**

|                     |                            |
|---------------------|----------------------------|
| Lamptype            | LED 3000K                  |
| Wattage             | 6,7W                       |
| Gross luminous flux | 17780                      |
| Luminaire power     | 107,0W                     |
| Number              | 7                          |
| Lifetime LED module | L80/B10 > 72000h           |
| Color tolerance     | MacAdam 3                  |
| CRI                 | >80<br>+ 7x LED 3000K 7,2W |

**Photometric details**

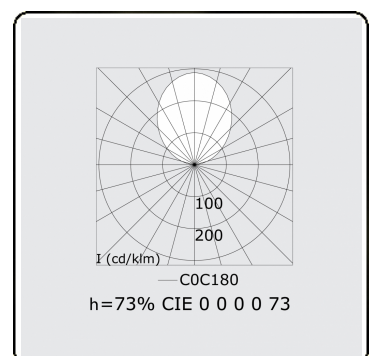
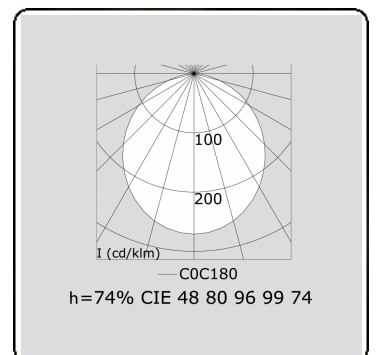
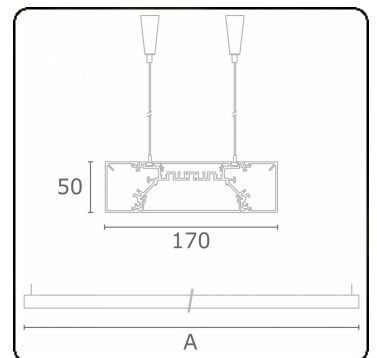
|                       |                |
|-----------------------|----------------|
| UGR                   | >19            |
| CIE Fluxcode          | 49 80 96 99 70 |
| CIE Fluxcode Indirect | 00 00 00 00 73 |

**Dimensions**

|   |         |
|---|---------|
| A | 2036 mm |
|---|---------|

**Remarks**

Suspended luminaire - Direct - HO 225mA - satin (flush) - RAL



**ENERGY**

Verrijgbaar op aanvraag.

Disponible sur demande.

Available on request.

Auf Anfrage.

**WXYZ**  
kWh/1000h

**MULTILINE®**

2019/2015