

Ro-LED Direct - VDT - HO 150mA - ANO
05.92024564-0001

Fixture details

| | |
|-----------------|-----------------|
| Mounting | Ceiling |
| Light emission | Direct |
| Fitting cover | VDT louvre |
| Protection rate | IP 20 |
| Housing | Aluminium |
| Finish | anodized finish |
| Certificates | CE, ISO 9001 |



Electric details

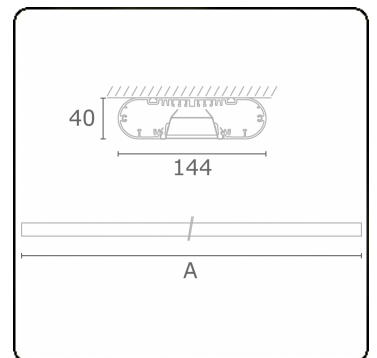
| | |
|------------------|------------------------|
| Protection class | I |
| Supply | 230V |
| Control gear box | Current driver DALI/TD |

Lamp details

| | |
|---------------------|------------------|
| Lamptype | LED 4000K |
| Wattage | 3,2W |
| Gross luminous flux | 4020 |
| Luminaire power | 21,1W |
| Number | 6 |
| Lifetime LED module | L80/B10 > 72000h |
| Color tolerance | MacAdam 3 |
| CRI | >80 |

Photometric details

| | |
|--------------|------------------|
| UGR | <19 |
| CIE Fluxcode | 80 99 100 100 71 |



Dimensions

| | |
|---|---------|
| A | 1690 mm |
|---|---------|

Remarks

Ceiling luminaire - Direct - HO 150mA - VDT - ANO

ENERGY

Verrijgbaar op aanvraag.

Disponible sur demande.

Available on request.

Auf Anfrage.

WXYZ
kWh/1000h

MULTILINE®

2019/2015