

Anilo Direct - satin - MO - RAL 9003
04.49004143-9003

Fixture details

| | |
|-----------------|-----------------------|
| Mounting | Pendant |
| Light emission | Direct |
| Fitting cover | Opal diffuser |
| Protection rate | IP 20 |
| Housing | Aluminium |
| Finish | RAL 9003 Signal white |
| Certificates | CE, ISO 9001 |

Electric details

| | |
|------------------|-------------------|
| Protection class | I |
| Supply | 230V |
| Control gear box | Power supply DALI |

Lamp details

| | |
|-------------------------|------------------|
| Lamptype | LED 3000K |
| Wattage | 87W |
| Luminaire power | 87W |
| Luminaire luminous flux | 6517 |
| Number | 1 |
| Lifetime LED module | L80/B10 = 50000h |
| Color tolerance | MacAdam 3 |
| CRI | >80 |

Photometric details

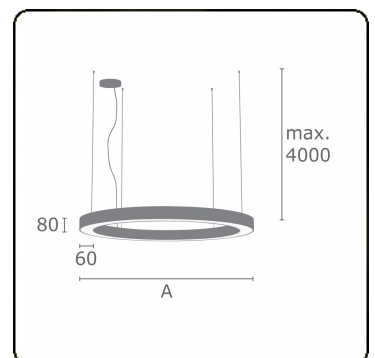
| | |
|--------------|------------------|
| UGR | >19 |
| CIE Fluxcode | 47 78 95 100 100 |

Dimensions

| | |
|---|---------|
| A | 2000 mm |
|---|---------|

Remarks

Suspended luminaire - Direct - satin - MO - RAL 9003



ENERGY

Verkrijgbaar op aanvraag.

Disponible sur demande.

Available on request.

Auf Anfrage.

WXYZ
kWh/1000h

MULTILINE®

2019/2015