

Anilo Direct/Indirect - satin - MO - RAL 9003
04.49102144-9003

Fixture details

Mounting	Pendant
Light emission	Direct-Indirect
Fitting cover	Opal diffuser
Protection rate	IP 20
Housing	Aluminium
Finish	RAL 9003 Signal white
Certificates	CE, ISO 9001



Electric details

Protection class	I
Supply	230V
Control gear box	Current driver 1-10V

Lamp details

Lamptype	LED 4000K
Wattage	207W
Luminaire power	207W
Luminaire luminous flux	22060
Number	1
Lifetime LED module	L80/B10 = 50000h
Color tolerance	MacAdam 3
CRI	>80

Photometric details

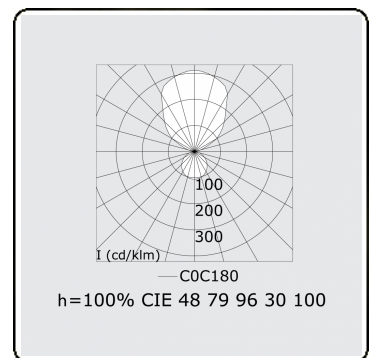
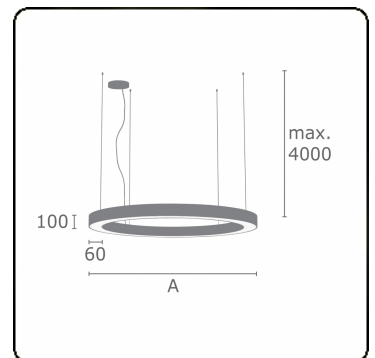
UGR	>19
CIE Fluxcode	47 78 95 36 100

Dimensions

A	2000 mm
---	---------

Remarks

Suspended luminaire - Direct/Indirect - satin - MO - RAL 9003



ENERGY

A
 Verkrijgbaar op aanvraag.
B
 Disponible sur demande.
C
D
 Available on request.
E
F
 Auf Anfrage.
G

WXYZ
kWh/1000h

MULTILINE® 2019/2015