

Anilo Direct/Indirect - satin - MO - RAL 9006  
04.49102154-9006

**Fixture details**

|                 |                          |
|-----------------|--------------------------|
| Mounting        | Pendant                  |
| Light emission  | Direct-Indirect          |
| Fitting cover   | Opal diffuser            |
| Protection rate | IP 20                    |
| Housing         | Aluminium                |
| Finish          | RAL 9006 White aluminium |
| Certificates    | CE, ISO 9001             |



**Electric details**

|                  |                      |
|------------------|----------------------|
| Protection class | I                    |
| Supply           | 230V                 |
| Control gear box | Current driver 1-10V |

**Lamp details**

|                         |                  |
|-------------------------|------------------|
| Lamptype                | LED 4000K        |
| Wattage                 | 245W             |
| Luminaire power         | 245W             |
| Luminaire luminous flux | 27930            |
| Number                  | 1                |
| Lifetime LED module     | L80/B10 = 50000h |
| Color tolerance         | MacAdam 3        |
| CRI                     | >80              |

**Photometric details**

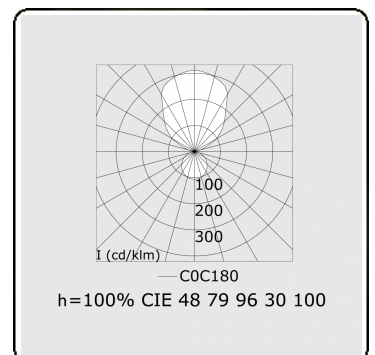
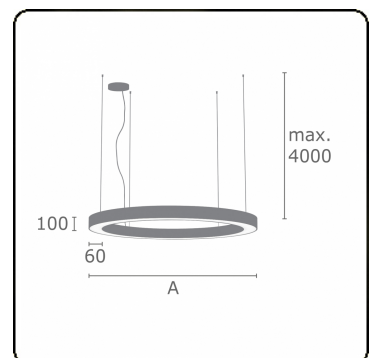
|              |                 |
|--------------|-----------------|
| UGR          | >19             |
| CIE Fluxcode | 47 78 95 36 100 |

**Dimensions**

|   |         |
|---|---------|
| A | 2500 mm |
|---|---------|

**Remarks**

Suspended luminaire - Direct/Indirect - satin - MO - RAL 9006



**ENERGY**

A  
 Verkrijgbaar op aanvraag.  
B  
 Disponible sur demande.  
C  
D  
 Available on request.  
E  
F  
 Auf Anfrage.  
G

**WXYZ**  
kWh/1000h

**MULTILINE®** 2019/2015