

Maze - I - Suspended - satin - HO 150mA - RAL  
04.18006524-9999

**Fixture details**

Mounting	Pendant
Light emission	Direct
Fitting cover	satin diffusor
Protection rate	IP 20
Housing	Aluminium
Finish	RAL colour at your choice
Certificates	CE, ISO 9001

**Electric details**

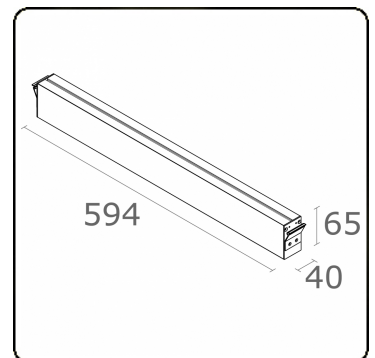
Protection class	I
Supply	230V
Control gear box	Power supply - 2 supply points

**Lamp details**

Lamptype	LED 4000K
Wattage	3,2W
Gross luminous flux	1340
Luminaire power	7W
Number	2
Lifetime LED module	L80/B10 > 72000h
Color tolerance	MacAdam 3
CRI	80

**Photometric details**

CIE Fluxcode	49 80 96 100 66
--------------	-----------------



**ENERGY**

Verkrijgbaar op aanvraag.

Disponible sur demande.

Available on request.

Auf Anfrage.

**WXYZ**  
kWh/1000h

**MULTILINE®** 2019/2015