

Spy-1 - pin - height 1000mm
35.11120-9906

Fixture details

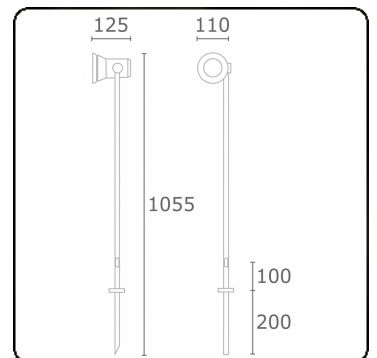
Mounting	Ground
Light emission	Spotlight
Fitting cover	Glass
Protection rate	IP 54
Housing	Aluminium
Finish	RAL 9006 white aluminium textured
Certificates	CE, ISO 9001


Electric details

Protection class	I
Supply	230V


Lamp details


Lamptype	LED MR16
Wattage	-
Socket	GU10
Number	1







This luminaire is compatible with bulbs of the energy classes:









MULTILINE®

35.11120-9906

874/2012