

Spy-1 - pin - height 1000mm
35.11120-9910

Fixture details

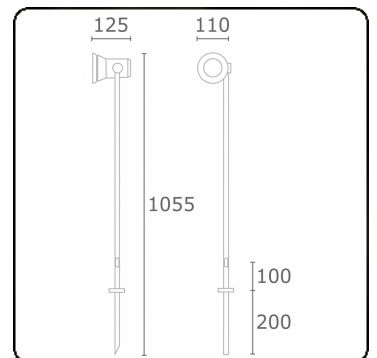
Mounting	Ground
Light emission	Spotlight
Fitting cover	Glass
Protection rate	IP 54
Housing	Aluminium
Finish	RAL 9016 traffic white textured
Certificates	CE, ISO 9001

Electric details

Protection class	I
Supply	230V

Lamp details

Lamp type	LED MR16
Wattage	-
Socket	GU10
Number	1



ENERGY

Verkrijgbaar op aanvraag.

Disponible sur demande.

Available on request.

Auf Anfrage.

WXYZ
kWh/1000h

MULTILINE®

2019/2015