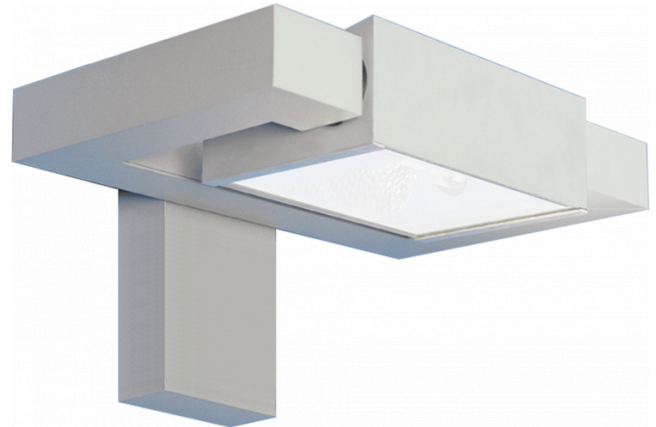


Vivace 7.2
35.23794-9906

Fixture details

| | |
|-----------------|-----------------------------------|
| Mounting | Wall |
| Light emission | Direct or Indirect |
| Fitting cover | Glass |
| Protection rate | IP 54 |
| Housing | Aluminium |
| Finish | RAL 9006 white aluminium textured |
| Certificates | CE, ISO 9001 |



Electric details

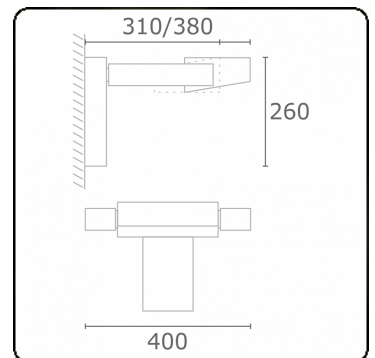
| | |
|------------------|------|
| Protection class | I |
| Supply | 230V |
| Control gear box | EG |

Lamp details

| | |
|---------------------|------------------|
| Lamptype | LED 4000K |
| Wattage | 24W |
| Gross luminous flux | 2560 |
| Luminaire power | 29W |
| Number | 1 |
| Lifetime LED module | L80/B10 = 50000h |
| Color tolerance | MacAdam 3 |
| CRI | 85 |

Photometric details

| | |
|--------------|----------------|
| CIE Fluxcode | 53 83 97 99 73 |
|--------------|----------------|



Remarks

TC-D and LED with sandblasted glass, other light sources with clear glass

ENERGY

Verrijgbaar op aanvraag.

Disponible sur demande.

Available on request.

Auf Anfrage.

WXYZ
kWh/1000h

MULTILINE®

2019/2015