

Snake - satin - HO 150mA - RAL
05.48000534-9999

Fixture details

| | |
|-----------------|---------------------------|
| Mounting | Ceiling |
| Light emission | Direct |
| Fitting cover | satin diffusor |
| Protection rate | IP 20 |
| Housing | Aluminium |
| Finish | RAL colour at your choice |
| Certificates | CE, ISO 9001 |

Electric details

| | |
|------------------|----------------|
| Protection class | I |
| Supply | 230V |
| Control gear box | Current driver |

Lamp details

| | |
|---------------------|------------------|
| Lamptype | LED 4000K |
| Wattage | 3,2W |
| Gross luminous flux | 2010 |
| Luminaire power | 10,6W |
| Number | 3 |
| Lifetime LED module | L80/B10 > 72000h |
| Color tolerance | MacAdam 3 |
| CRI | >80 |

Photometric details

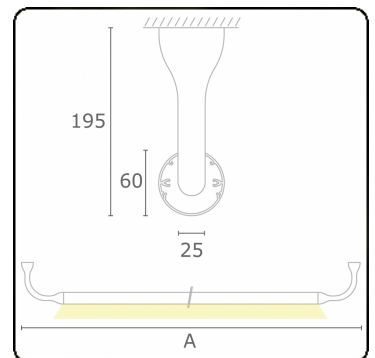
| | |
|--------------|----------------|
| UGR | >19 |
| CIE Fluxcode | 43 73 91 95 79 |

Dimensions

| | |
|---|---------|
| A | 1230 mm |
|---|---------|

Remarks

Ceiling luminaire - Direct - HO 150mA - satin - RAL



ENERGY

Verrijgbaar op aanvraag.

Disponible sur demande.

Available on request.

Auf Anfrage.

MULTILINE®

WXYZ
kWh/1000h

2019/2015